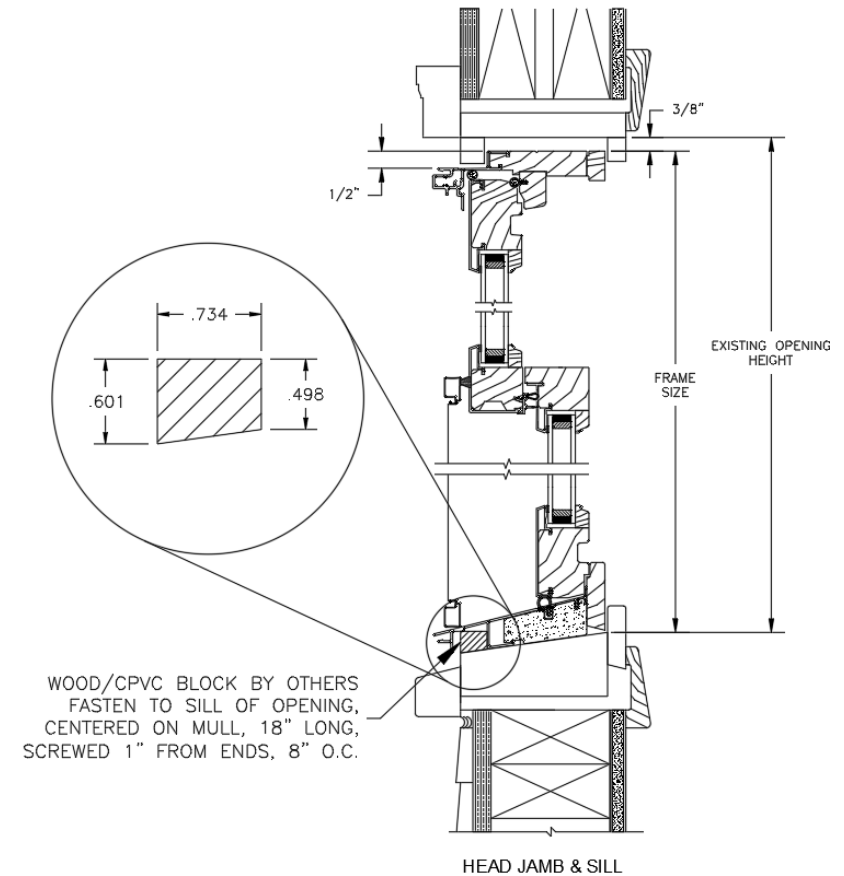
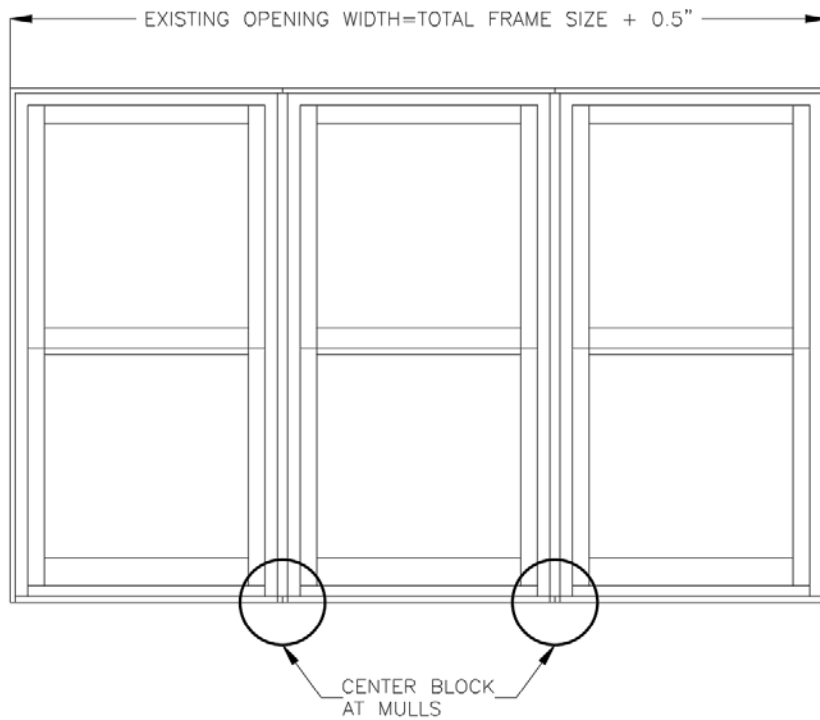




Mulled Revive Clad/Hybrid Installation Supplemental Instructions

NOTE: Instructions below are intended to supplement the details described in the “Installation Guidelines and Homeowner Warranty” document sent with the unit by adding a step between 2 and 3 for instances when installing a mulled configuration.



- 1.) Follow steps 1-2A/2B from the Revive Installation Guidelines.
- 2.) Inspect sill of opening to ensure that it is sturdy and has no leakage points.
- 3.) Apply a bead of sealant to the bottom of mull support block.
- 3.) Install block to sill, centered at mull locations, in line with existing blind stops.
- 4.) Follow the remaining instructions on the Revive Installation Guidelines.